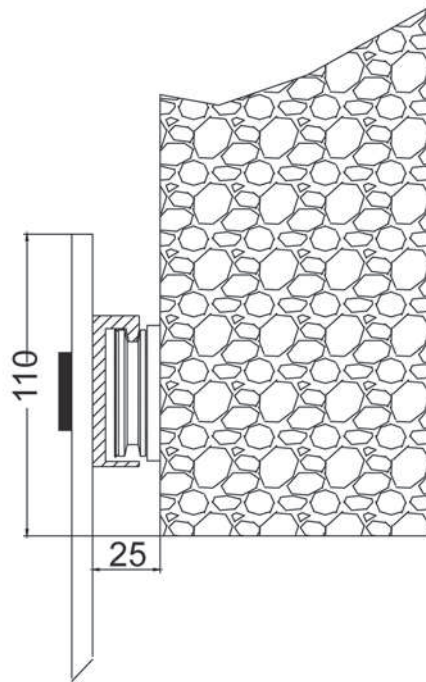


INDEPENDENT TRACK SECTION GLASS



INDEPENDENT TRACK SECTION WOOD

